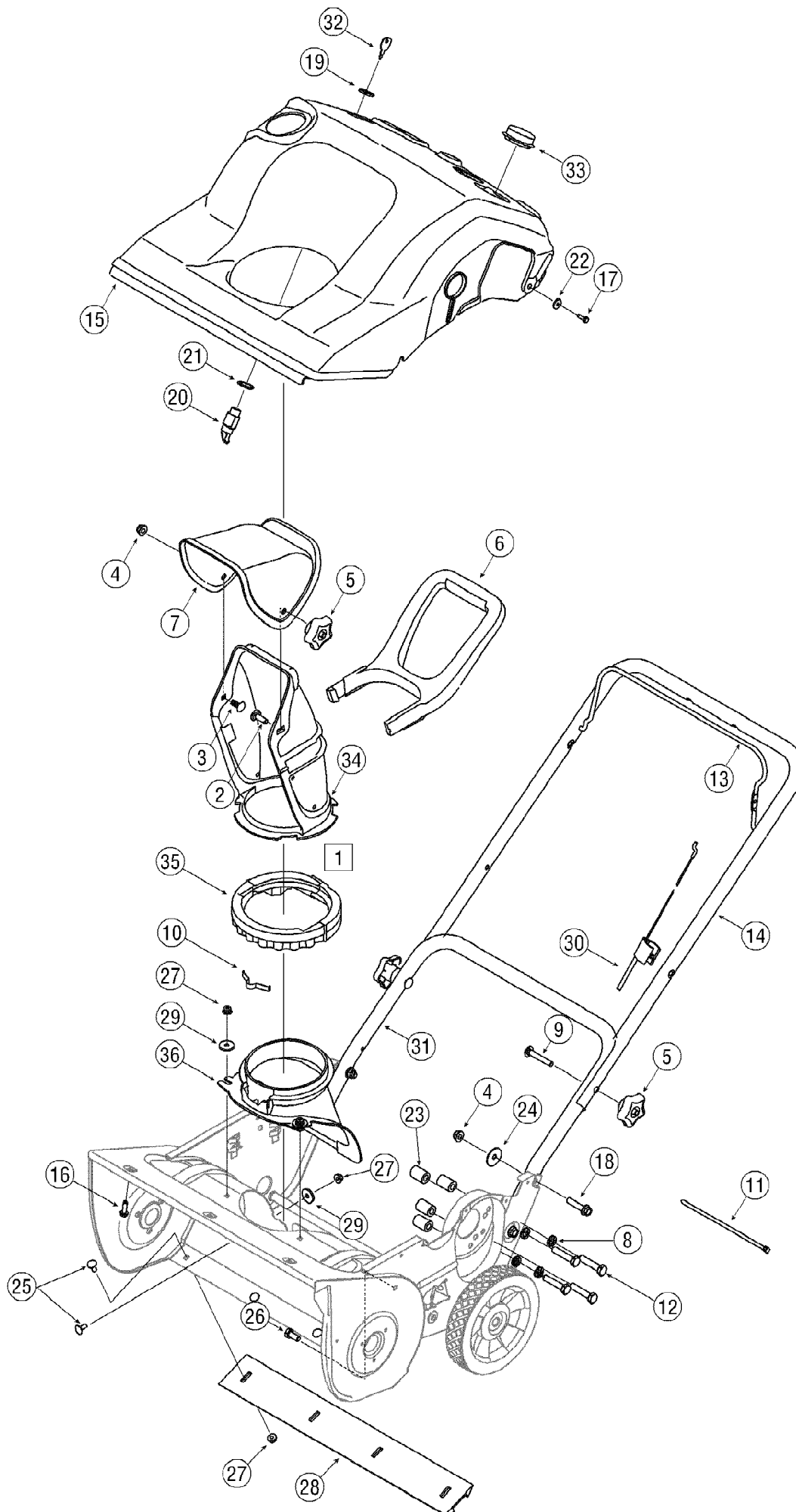


31AS235-790 (2006)  
Drive Assembly

Page 2 of 6

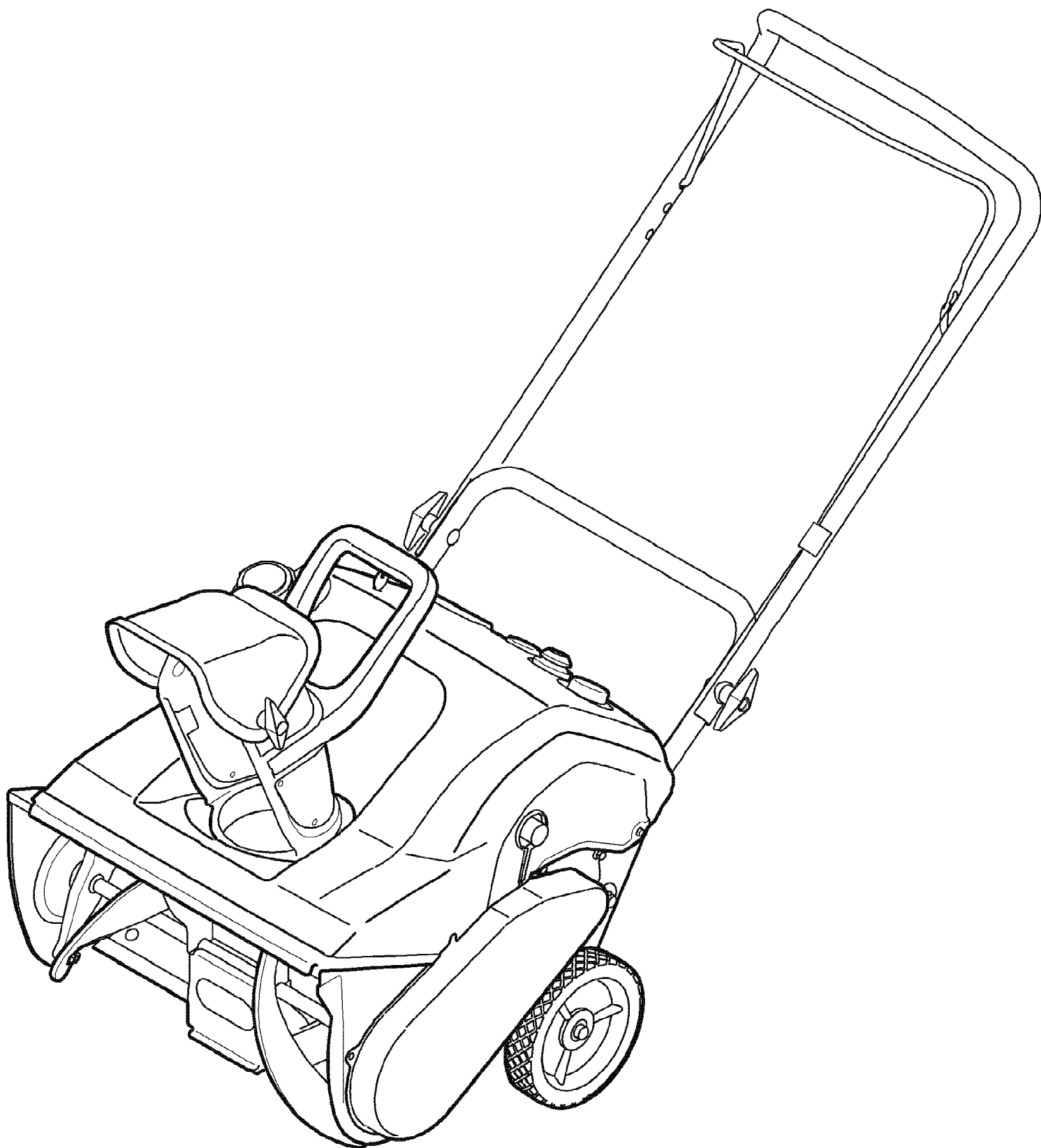
Ref #	Part Number	Qty	S/P/F	Description
1	629-0236	1	/P	Extension Cord If Equipped
2	710-0627	1	/P	Hex Screw, 5/16-24 x .75
3	710-1003	2	/P	Screw, #10-16 x .625 If Equipped
4	7510009630	1	/P	Recoil Handle
5	712-04063	2	/P	Hex Flange Lock Nut, 5/16-18
6	722-3022	2	S	Foam Tape .625 X.25
7	726-0154	1	S	Push Mount Cable Tie
8	726-0205	2	/P	Clamp, Hose
9	750-0716A	1		Spcr., .630 x .880 x .747
10	736-0242	1	/P	Bell Washer, .340 x .872 x .060
11	747-04150	1		Gas Tank Support Wire
12	7511825510	1	S	Choke Lever Knob
13	751-0535	18		Hose, Fuel Line
14	751-10023	1	S	Tank, Fuel
15	751-10278	1	S	Cap, Fuel
16	754-0367	1	S	V-Belt, 3/8 x 34.4 Lg.
17	756-0416B	2	S	Pulley Half, .625 ID x 2.25 OD
18	756-04243	1		Pulley, V Type, 3/8 x 6.0 OD
19	790-00225	1	S	2-Cycle Mounting Bracket
20	734-04204	2	S	Wheel, 7 x 1.5 Dia. Tread
21	684-04228	1	S	Auger Assembly Complete
22	710-0106	1	/P	Hex Screw, 1/4-20 x 1.00 Gr. 5 Pulley Hole 1/4"
22	710-0191	1	/P	Hex Screw 3/8-24 x 1.25 Pulley Hole 3/8"
23	710-0642	1	/P	Hex Screw 1/4-20 x .75 Gr. 5
24	710-0653	1	/P	Self-tapping Screw 1/4-20 x .375
25	710-0896	24	/P	Hex Screw, 1/4-14 x 0.625"
26	710-0352	6	/P	Screw, 1/4-14 x .375
27	684-04227	1		Auger Assembly Housing 21"
28	712-04064	1	/P	Hex Flange Lock Nut, 1/4-20 Pulley Hole 1/4"
28	712-0116	1	S	Jam Lock Nut 3/8--24 Pulley Hole 3/8"
29	726-0299	2	/P	Push Cap, 1/2"
30	732-0357A	1	S	Extension Spring
31	736-0176	1	S	Flat Washer .265 x .938 x .120
32	721-04006	2		Fuel Tank Gasket
33	736-0329	1	S	Lock Washer, 1/4
34	741-04188	2		Ball Bearing
35	684-04168	1		Idler Pulley Pulley Hole 1/4"
35	756-0313	1	/P	Idler Pulley Pully Hole 3/8"
36	748-0234	1	/P	Shoulder Spacer .25
37	712-0896	1		Hex Lock Nut 1/4-28
38	790-00249	2	S	Bearing Cup
39	790-00283	1	S	Idler Brkt. w/Brake Pully Hole 1/4"
39	790-00238	1	S	Idler Brkt. w/ Brake Pulley Hole 3/8"
40	790-00045A	1	/P	Belt Cover
41	756-0625	1		Cable Roller
42	735-04033	2		Rubber Paddle
43	735-04032	4		Crescent Spiral
44	750-04571	1		Shldr., Spcr., .260 x .785 x .538
45	7510009636	1	/P	Recoil Handle, Mitten If Equipped
46	7512B1476	1	S	Primer
47	738-0924A	1	/P	Carriage Screw 1/4-28



31AS235-790 (2006)  
General Assembly

Page 4 of 6

Ref #	Part Number	Qty	S/P/F	Description
1	684-04127	1	S	Chute Assembly
2	710-04071	1		Carriage Bolt 5/16-18 x 1.0"
3	710-0451	1	/P	Carriage Bolt 5/16-18 x 0.750"
4	712-04063	7	/P	Flange Lock Nut, 5/16-18
5	720-04072	2	S	Star Knob, 5/16-18
6	731-04388A	1		Chute Handle
7	731-04426A	1	/P	Upper Chute
8	736-0119	1	S	Lock Washer, 5/16
9	710-04532	2		Carriage Screw, 5/16-18 x 2.0 Gr. 5
10	732-04111	1	S	Chute Adjustment Spring
11	725-0157	1	/P	Cable Tie
12	710-0805	4	/P	Screw, 5/16-18 x 1.50
13	747-04159	1	S	Bail, Gull Wing
14	749-04106	1	S	Upper Handle, Gull Wing
15	684-04161	1	/P	Shroud Assembly
16	710-04187	3	/P	Screw, 1/4-15 x .50
17	710-1003	3	/P	Self-tapping Screw, #10-16 x .625"
18	710-1882	4		Hex Flange Screw 5/16-18 x 1.50 Gr. 5
19	712-0252	1	/P	Hex Nut 5/8-32 x .12 Special
20	725-2018	1	S	Key Switch-Electric Start
21	736-0225	1	/P	Lock Washer Internal .625 x 1.058
22	736-0400	5	S	Flat Washer .194" x .62" x .063
23	750-0589	4	S	Spcr., .325 ID x .625 OD x .88 Lg.
24	736-0362	2	/P	Flat Washer .330 x 1.25 x .06
25	710-0134	8	/P	Screw, 1/4-20 x .62
26	710-3008	1	/P	Truss Machine Screw, 5/16-18 x .75
27	712-04064	9	/P	Hex Flange Lock Nut, 1/4-20
28	731-1033	1	/P	Shave Plate, 19.88
29	736-0176	3	S	Flat Washer .265 x .938 x .120
30	746-04237	1		Control Cable
31	749-04114	1		Lower Handle
32	725-0201	2	S	Ignition Key
33	731-1133C	1	/P	Spark Plug Cover
34	731-04127	1	S	Lower Chute 5" Dia
35	731-04353	1	S	Ring-Lower Chute
36	731-04886	1	S	Chute, Adapter 5" Dia



Ref #	Part Number	Qty	S/P/F	Description
	759-3338	1	/P	Spark Plug RJ19LM
	751-10278	1	S	Fuel Cap
	725-0201	1	S	Key
	629-0236	1	/P	Extension Cord
	N/A	1		Snow Removal Tool
	731-1033	1	/P	Shave Plate
	N/A	1		Slide Shoes
	N/A	1		Shear Pin
	N/A	1		Bow Tie Cotter Pin
	N/A	1		Lamp
	N/A	1		Auger Drive Belt
	754-0367	1	S	Wheel Drive Belt
	735-04032	1		Spiral Crescent
	735-04033	1		Rubber Paddle
	N/A	1		Friction Wheel Assembly
	N/A	1		Friction Wheel Disc
	N/A	1		Friction Wheel Rubber
	734-04204	1	S	Wheels
	684-04228	1	S	Auger Assembly Complete
	746-04237	1		Control Cable